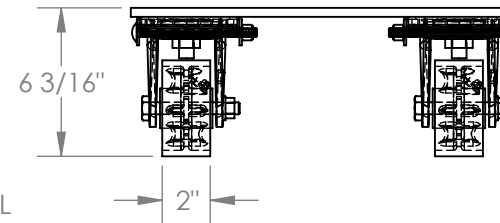
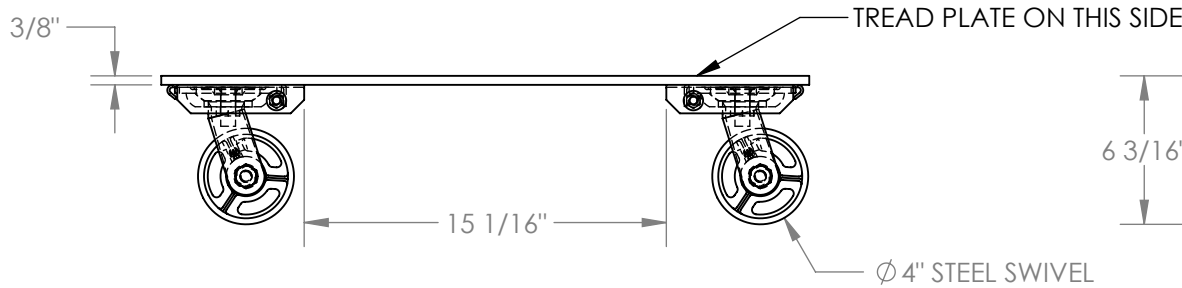
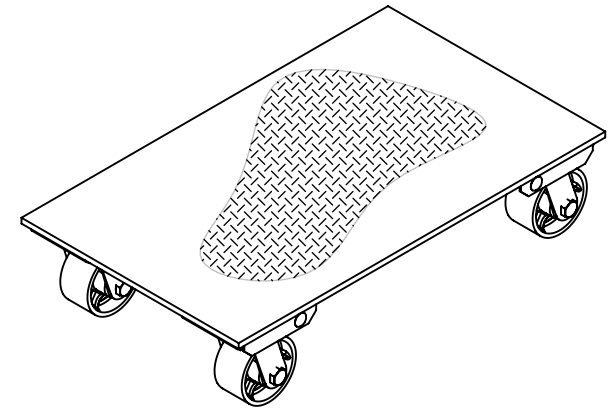
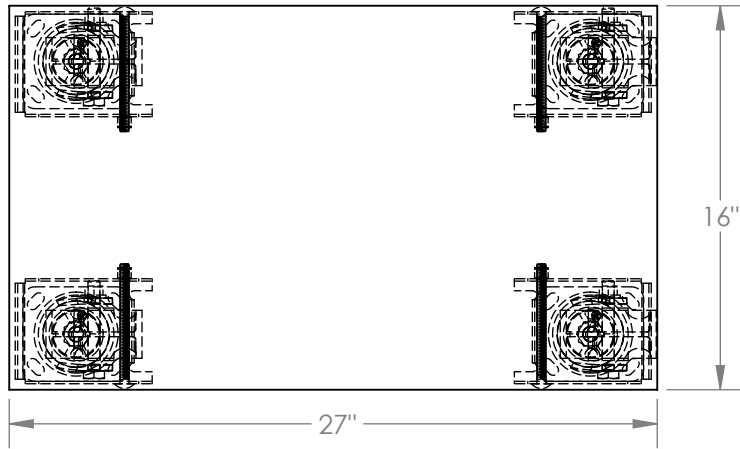


ALUMINUM PLATE DOLLY - PDA-1627-C-S

APPROX WEIGHT: 46.58 lbs.
 DOES NOT INCLUDE WEIGHT OF POWER OR PACKAGING!!!

*** ANY ADDITIONS, DELETIONS, OR OMISSIONS MUST BE CORRECTED ON THIS DRAWING AS THIS DRAWING WILL BE CONSIDERED ALL INCLUSIVE ***

ALL GRAPHICS PROVIDED ARE FOR REFERENCE ONLY. IF CERTAIN DIMENSIONS ARE CRITICAL PLEASE VERIFY THOSE DIMENSIONS WITH YOUR SALESPERSON



STANDARD FEATURES

- MODEL NUMBER IS: PDA-1627-C-S
- OVERALL WIDTH IS: 16"
- USABLE WIDTH IS: 16"
- OVERALL LENGTH IS: 27"
- USABLE LENGTH IS: 27"
- OVERALL HEIGHT IS: 6 3/16"
- MAX CAPACITY IS: 2800 LBS
- CASTERS: 4-Ø4X2 STEEL SWIVEL CASTERS

SPECIAL FEATURES

NONE

DIMENSION TOLERANCE ± 1/4"

| | | |
|---|--|-------------|
| APPROVAL | I, THE UNDERSIGNED, AGREE THAT THE PRODUCT AS REPRESENTED SATISFIES DESIGN AND DIMENSION REQUIREMENTS. I ALSO ACKNOWLEDGE MY DUTY TO CONFIRM PRODUCT AND INSTALLATION COMPLIANCE WITH ALL APPLICABLE FEDERAL, STATE AND LOCAL REGULATIONS AND STANDARDS. | |
| | ANY MODIFIED UNITS ARE NON-RETURNABLE | |
| | [] As drawn [] As marked | |
| | Signed: _____ | Date: _____ |
| Printed Name: _____ | | |
| <i>LEAD TIME WILL START UPON RECEIPT OF SIGNED APPROVAL DRAWING</i> | | |

| | |
|---|--|
| FOR INTERNAL USE ONLY PROJECT SIGN OFF | |
| SALES | |
| ENG. | |
| FAB. | |
| POWER | |

| | | |
|----------------------|-----|------------------|
| DISTRIBUTOR'S NAME: | | P.O.# |
| VESTIL MANUFACTURING | | X |
| W.O.# | | X |
| DRAWN BY: | ALH | DATE: 09/22/2011 |
| REFERENCE: | X | SALES: X |
| QUOTED LEAD TIME: | X | SCALE: 1:8 |
| QUOTE # | X | FILE NAME: |
| | | 33-007-223 |