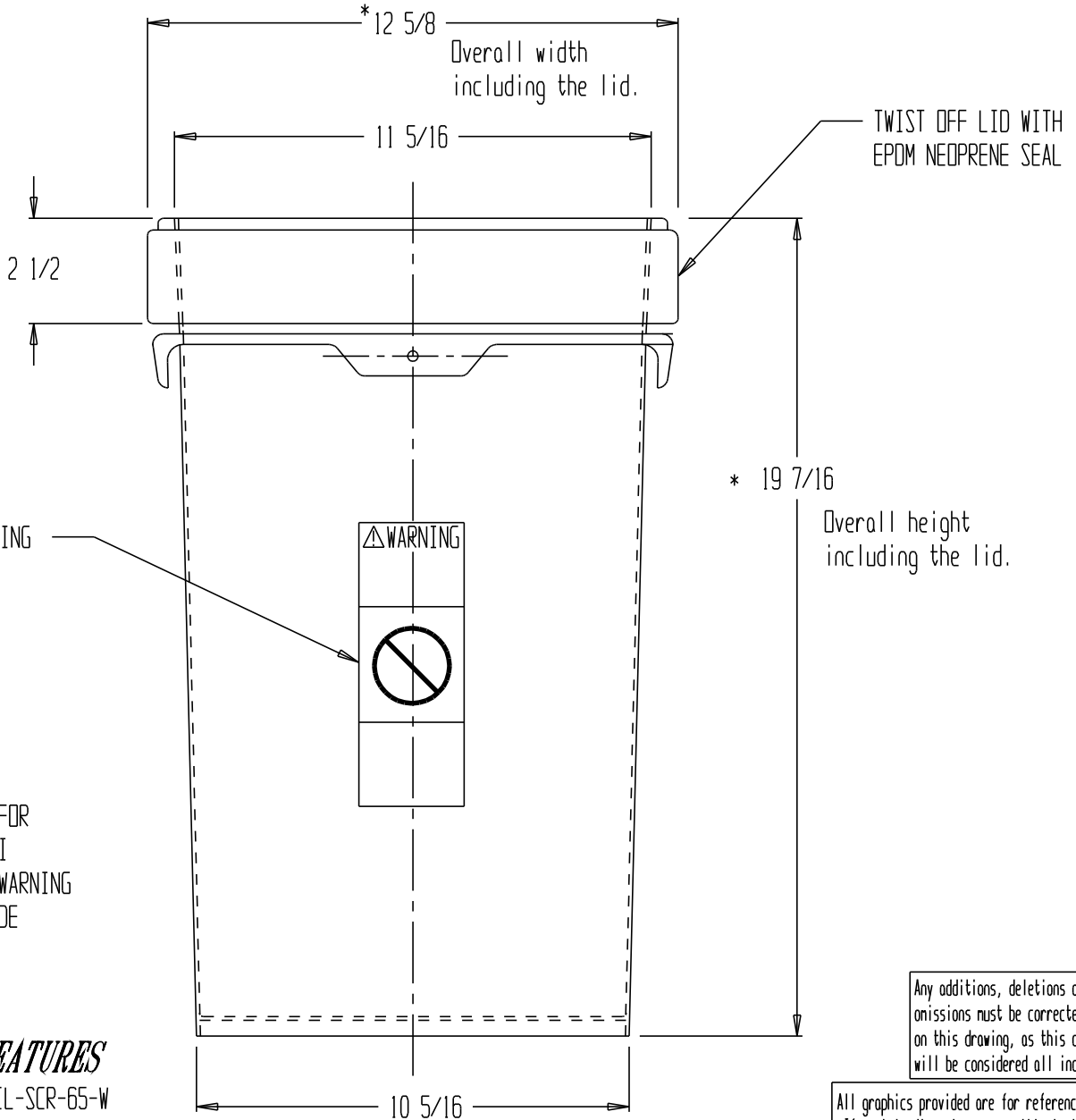


FOR INTERNAL USE ONLY	PROJECT SIGN OFF
SALES	
ENG	
FAB.	
POWER	

# Plastic Pail - PAIL-SCR-65-W



CHILD DROWNING WARNING

TWIST OFF LID WITH EPDM NEOPRENE SEAL

- \* U.N. CERTIFIED FOR GROUPS II & III
- \* CHILD DROWNING WARNING STAMPED ON SIDE

## STANDARD FEATURES

MODEL NUMBER: PAIL-SCR-65-W  
 CAPACITY: 6.5 GALLONS  
 MATERIAL: HIGH DENSITY POLYETHYLENE (H.D.P.E.)  
 COLOR (PAIL & LID): WHITE  
 SEAL: BLACK CLOSE CELL EPDM/NEOPRENE SPONGE  
 WIDTH AT WIDEST POINT (including lid): 12.62"  
 OVERALL HEIGHT WITH LID: 19.45"  
 \* ONE LID INCLUDED WITH EACH PAIL  
 BOTTOM OUTSIDE DIAMETER: 10.29"  
 INSIDE DIAMETER AT TOP: 11.25"  
 INSIDE HEIGHT: 18.27"  
 MINIMUM WALL THICKNESS (pail): 0.090"  
 MINIMUM WALL THICKNESS (lid): 0.090"  
 CONTAINER IS AIR TIGHT W/ GASKET  
 CONTAINER IS "UN" RATED FOR SOLIDS  
 CONTAINER IS NOT LEAK PROOF FOR LIQUIDS

Any additions, deletions or omissions must be corrected on this drawing, as this drawing will be considered all inclusive.

All graphics provided are for reference only. If certain dimensions are critical please verify those dimensions with your salesperson

<b>A P P R O V A L</b>	I, THE UNDERSIGNED, AGREE THAT THE PRODUCT AS REPRESENTED SATISFIES DESIGN & DIMENSION REQUIREMENTS. I ALSO ACKNOWLEDGE MY DUTY TO CONFIRM PRODUCT & INSTALLATION COMPLIANCE WITH ALL APPLICABLE FEDERAL, STATE AND LOCAL REGULATIONS & STANDARDS.	
	<b>ALL SPECIAL UNITS ARE NON-RETURNABLE</b>	
	[ ] As drawn [ ] As marked	
	Signed: _____	Date: _____
LEAD TIME WILL START UPON RECEIPT OF SIGNED APPROVAL DRAWING		

DISTRIBUTOR'S NAME: <b>VESTIL MFG</b>		P.O.#: _
DRAWN BY: _____		DATE: _
REFERENCE: _		SCALE: _
QUOTED LEADTIME: _		QUOTE #: _
		SALES: _
		DRWG./FILE NAME: PAIL-SCR-65-W