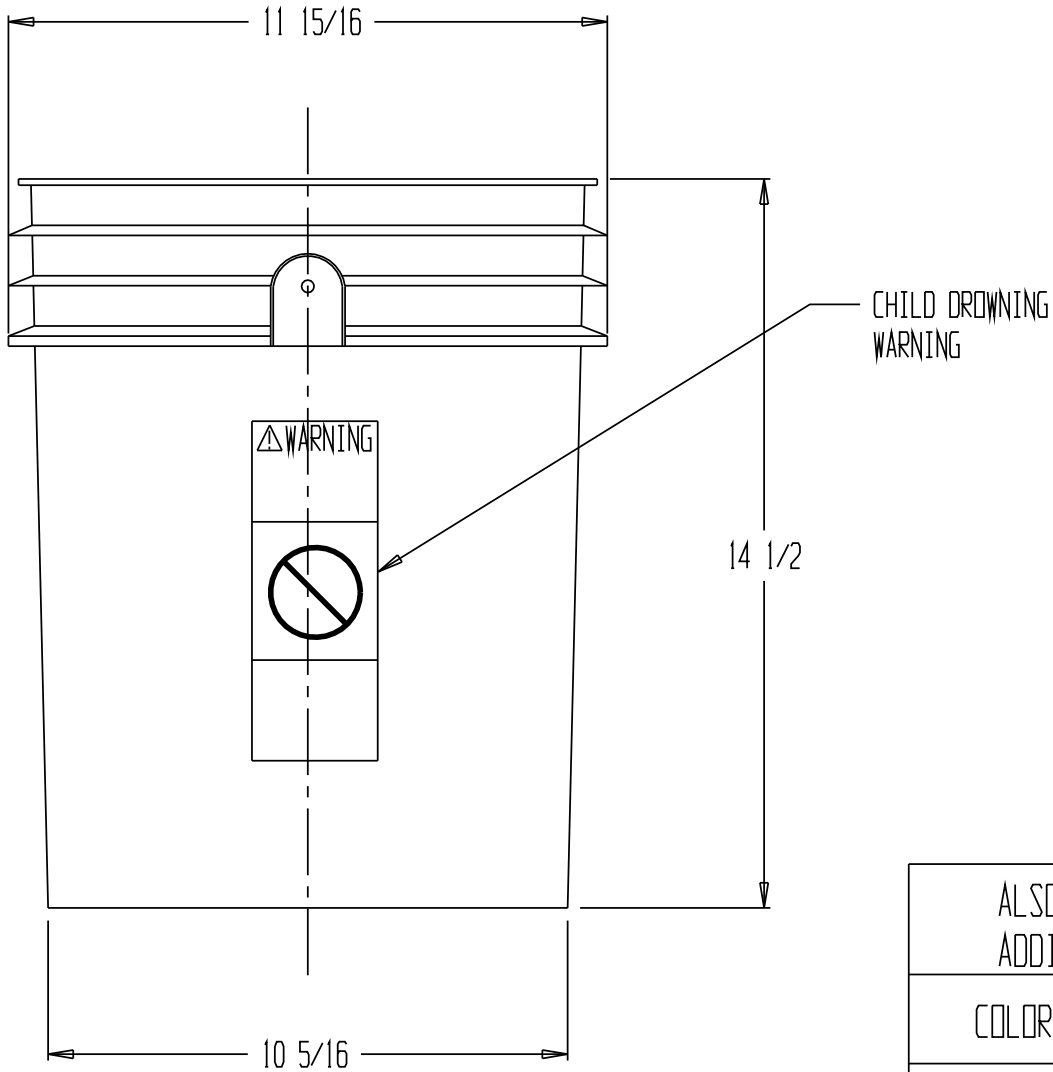


# Plastic Pail with a Steel Handle - PAIL - 54 - PWS



ALSO AVAILABLE IN ADDITIONAL COLORS:	
COLOR:	PART NO.
BLUE	PAIL-54-PBS
RED	PAIL-54-PRS
YELLOW	PAIL-54-PYS
GREEN	PAIL-54-PGS
BLACK	PAIL-54-LBKS

## STANDARD FEATURES

MODEL NUMBER: PAIL-54-PWS  
 CAPACITY: 5 GALLON  
 MATERIAL: HIGH DENSITY POLETHELENE (H.D.P.E.)  
 COLOR: WHITE  
 HANDLE: STEEL  
 WIDTH AT WIDEST POINT: 11.91"  
 OVERALL HEIGHT: 14.50"  
 BOTTOM OUTSIDE DIAMETER: 10.33"  
 MINIMUM WALL THICKNESS: 93 mil

Hot fill capacity up to 190°  
 w/ appropriate mat'l,  
 freezer application

\* LIDS SOLD SEPERATELY \*

## APPROVAL

I, the undersigned, hereby approve this print  
 As drawn       As marked  
 This includes my approval of design & dimensions.  
 Signed: \_\_\_\_\_  
 Date: \_\_\_\_\_

DISTRIBUTOR'S NAME:		P.O.#: _
<b>VESTIL MANUFACTURING</b>		W.O.#: _
DRAWN BY: _	DATE: _	SALES: _
REFERENCE:		DRWG./FILE NAME:
-		PAIL-54-PWS
SCALE: 1:4		