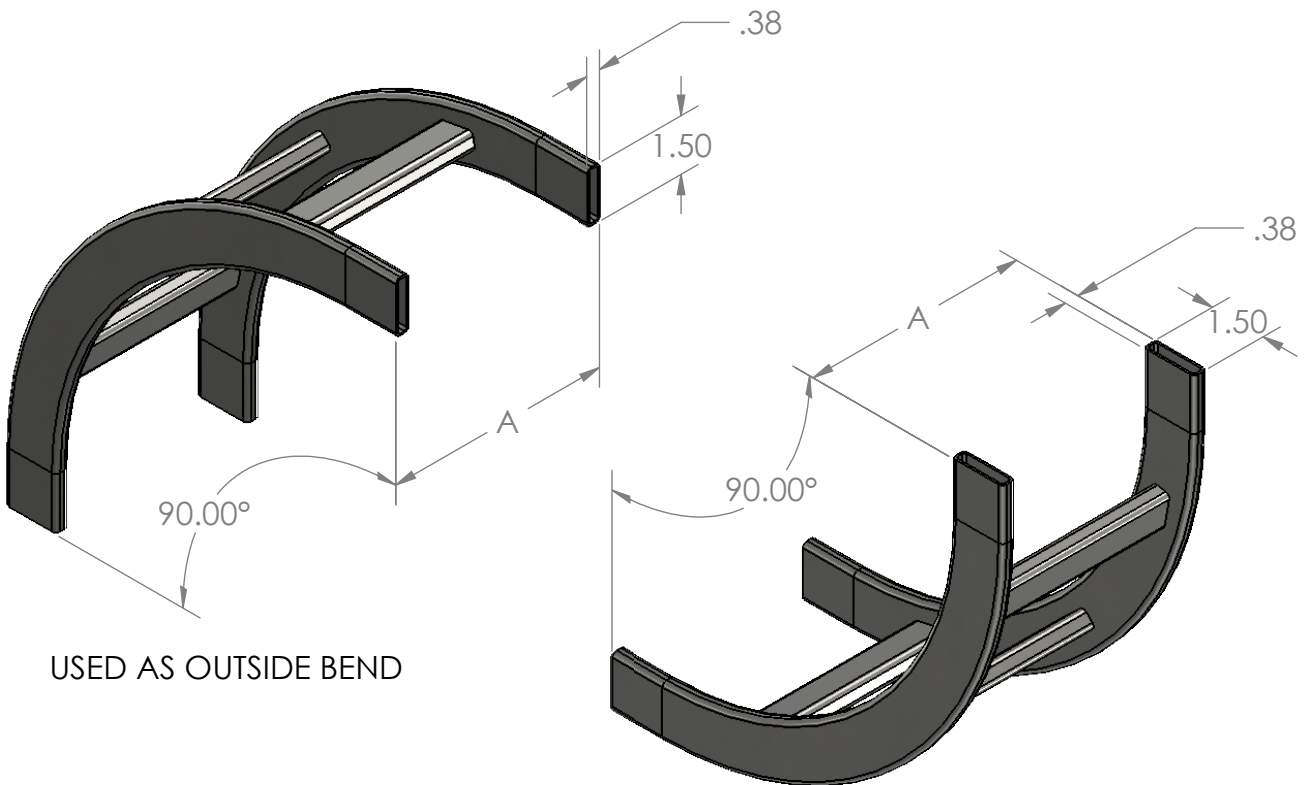


PRODUCT INFORMATION SHEET

UNIVERSAL RADIUS BEND LADDER

The universal radius bend ladder can be used to change vertical cable runs to a horizontal direction or vice versa. Functions as both an inside bend and an outside bend. Designed to conform with minimum cable bend radius requirements . Installation made easy using butt-splice kits, not included.

- Sides made of 1-1/2 x 3/8 wall tubular steel
- Rungs made of 1 x 1/2 wall tubular steel
- Easy installation using butt-splice kit, not included
- Choose 12" or 18" wide ladder
- Choose black or white powder finish
- Other sizes and colors available through special order
- Components are RoHS compliant
- Conforms to EIA-310 Standard



Part Number	A	Weight
LR12UVR	12	4.8 lbs
LR18UVR	18	5.6 lbs