

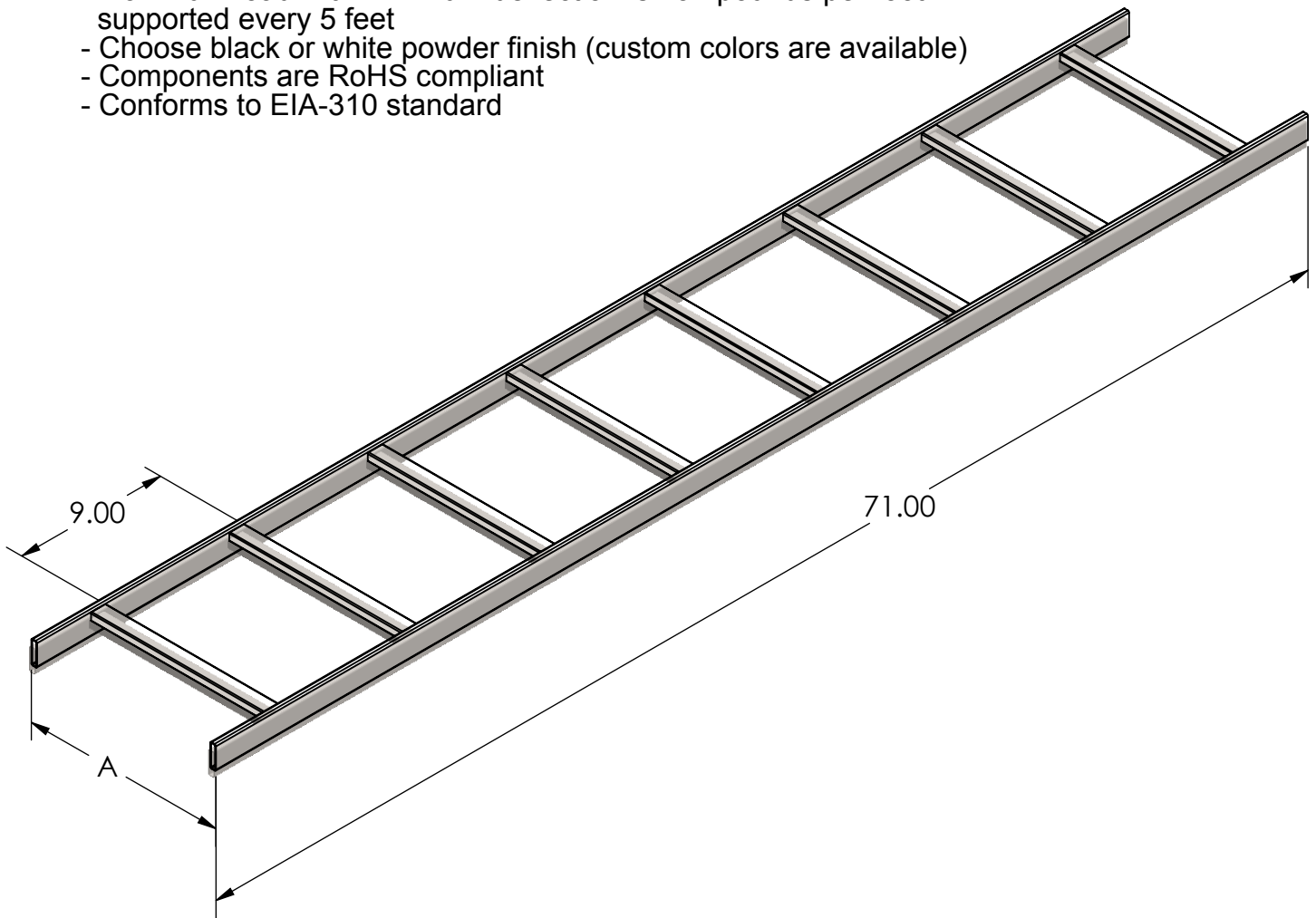
PRODUCT INFORMATION SHEET

CABLE RUNWAY 6 FOOT

Cable runway / ladder rack is used to support horizontal cable runs.



- Made of 1 1/2 x 3/8 wall steel tube stringers
- 1 x 1/2 cross members welded on 9 inch centers
- Individually boxed to prevent damage
- Maximum load with minimum deflection is 132 pounds per foot if supported every 5 feet
- Choose black or white powder finish (custom colors are available)
- Components are RoHS compliant
- Conforms to EIA-310 standard



Part Number	A	Weight
LR0606	6"	11.60 lbs
LR1206	12"	13.98 lbs
LR1806	18"	16.60 lbs
LR2406	24"	19.65 lbs