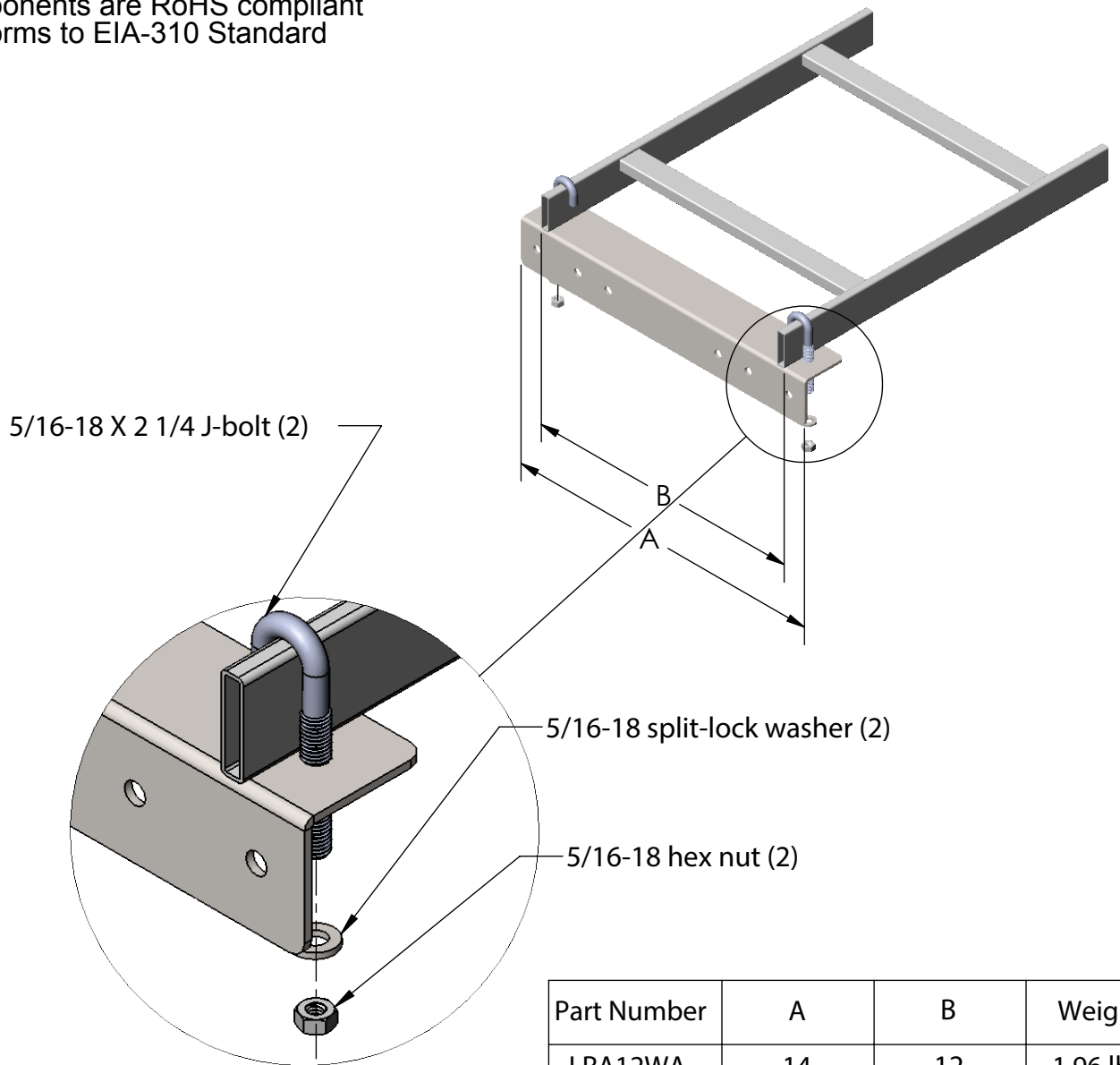


PRODUCT INFORMATION SHEET

WALL ANGLE SUPPORT BRACKET

The wall angle support bracket provides perpendicular wall support for cable ladder runway

- Constructed of high strength 12GA steel
- Includes J bolts and hardware to attach to cable runway ladder
- Choose 12" or 18" support bracket
- Choose black or white powder finish
- Other sizes and colors available through special order
- Components are RoHS compliant
- Conforms to EIA-310 Standard



Part Number	A	B	Weight
LRA12WA	14	12	1.96 lbs
LRA18WA	20	18	2.70 lbs