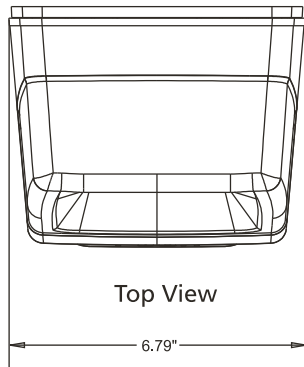
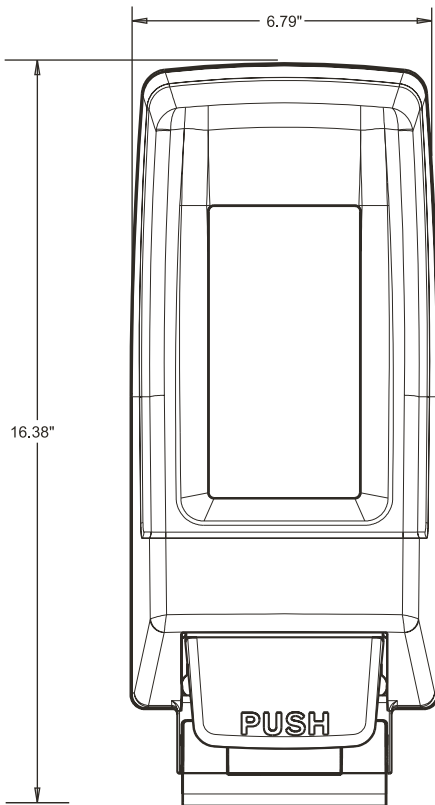


GOJO PRO™ TDX™ 2000 DISPENSER DIMENSIONS

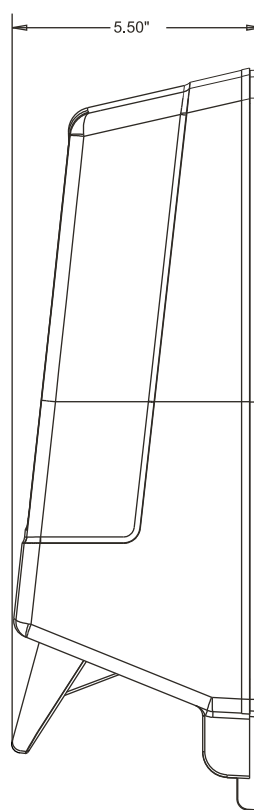
These dimensions apply to GOJO® PRO TDX 2000 dispenser.



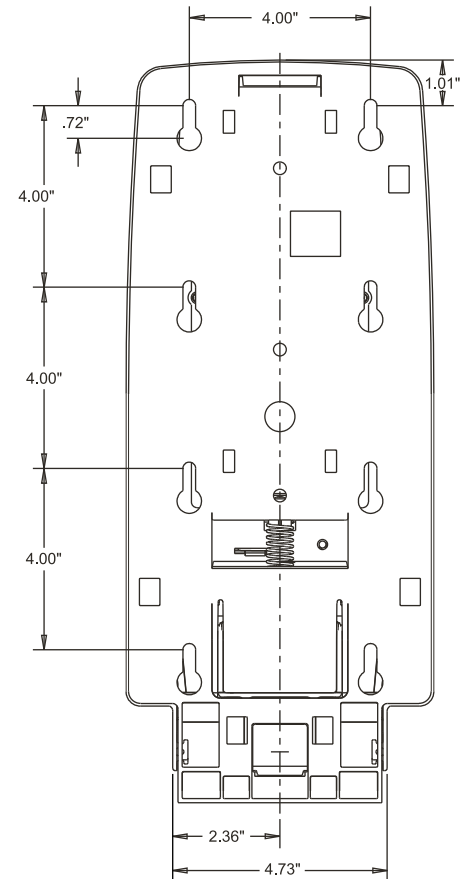
Use the dimensions provided to ensure adequate wall spacing and clearance for the unit.



Front View



Side View



Back View

GOJO PRO™ TDX™ 2000 & PRO TDX 5000 DISPENSER INSTALLATION INSTRUCTIONS

These instructions apply to GOJO® brand PRO TDX 2000 and PRO TDX 5000 dispensers.

Please carefully read all instructions before installing and using the dispenser.

Screw Mount (Preferred Method) | Recommended for dry wall and stud wall surfaces.

Dry Wall: "A" Holes

1. Using dispenser back plate as template, drill 9/32" diameter holes.
2. Insert lag shields in holes.
3. Install 1/4" diameter x 1" long lag screw through back and faster to wall.
4. Tighten screws securely.

Dry Wall: "B" Holes

1. Locate stud.
2. Using dispenser back plate as template — mark, drill 9/32" holes.
3. Install 1/4" x 1" long wood screws through dispenser back and fasten to stud.
4. Tighten screws securely — **Don't overtighten.**

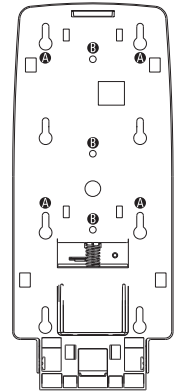
SCREW MOUNT METHOD

- A = DRY WALL
- B = STUD WALL

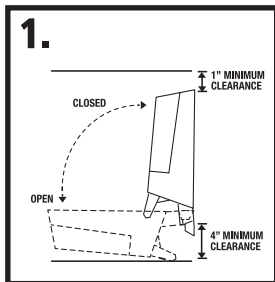
Note: "B" holes are also placed for tile mounting.

Tape* on back of dispenser can be used to temporarily hold dispenser while performing screw mount installation.

*Tape not shown to show holes.

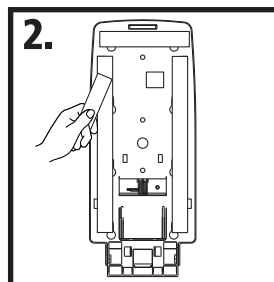


Tape Method | Recommended for cement and concrete block, ceramic tile, steel and other smooth surfaces.



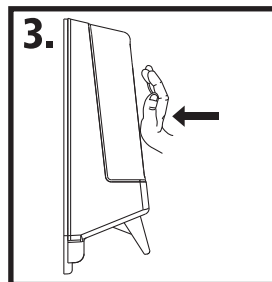
1. Determine Mounting Position

Locate desired position on wall. Allow 4" at bottom and 1" at top of dispenser for proper clearance.



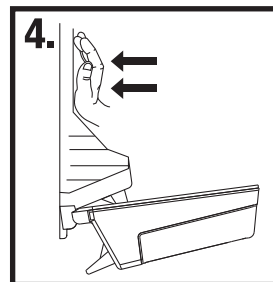
2. Prepare Tape.

Carefully remove paper backing from tape on back of dispenser.



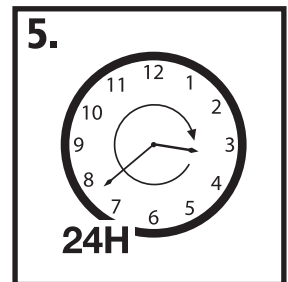
3. Mount Dispenser.

Firmly press closed dispenser on pre-determined location on wall.

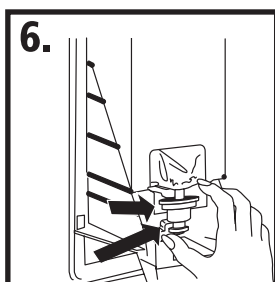


4. Unlatch Cover.

Press firmly against back plate to ensure maximum contact of tape with wall surface. Close dispenser.

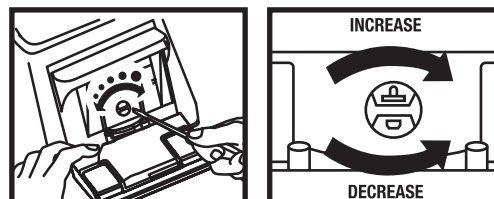


Wait 24 hours before loading refill.



Place carton into dispenser, slide nozzle into both slots, and close cover.

Adjustable Output



Use flat head screw driver to adjust output as shown.

Circular Wash Fountain Mounting

Call or write GOJO Industries, Inc. for information regarding the adapter kit for mounting dispenser on wash fountains.