

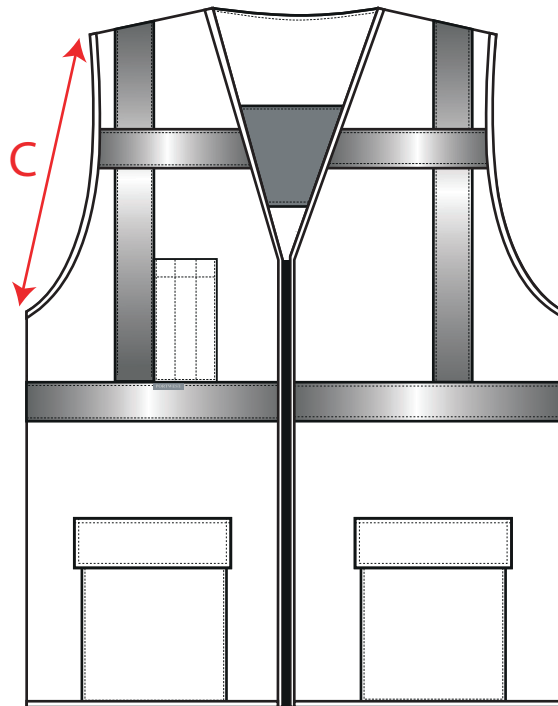
STYLE NO: CV02

DESCRIPTION: Cooling HV Vest

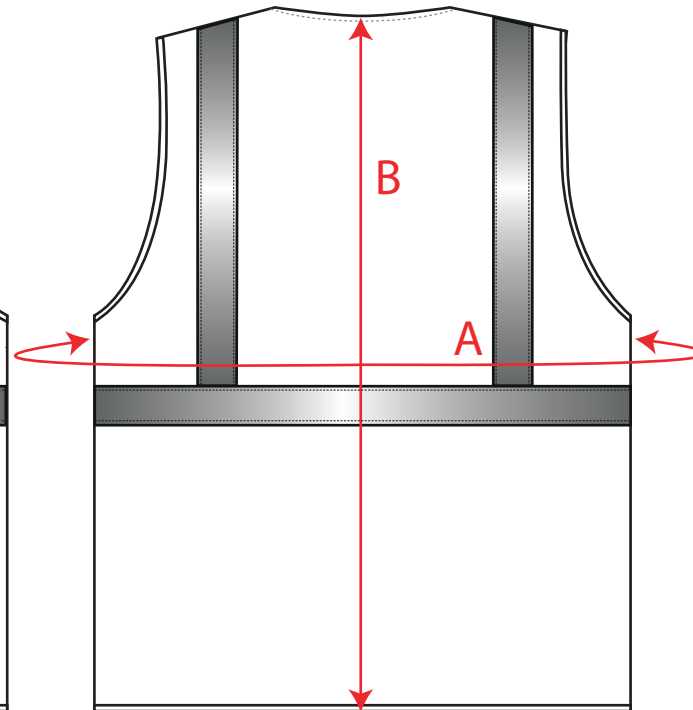
FABRIC: 100% Polyester Tricot 125g  
Bamboo Yarn and PVA Padding 330g

COLOUR: Hi-Vis Orange  
Hi-Vis Yellow

Front



Back



AREA	Measurement		S/M	L/XL	2XL/3XL
Chest closed	Inches	A	22.8	26.0	28.3
	Centimetres		58	66	72
Center back length	Inches	B	26.8	26.8	26.8
	Centimetres		68	68	68
Armhole straight	Inches	C	11.0	11.4	11.8
	Centimetres		28	29	30