

brandstand™

cübieflip
User Manual

Introduction

Thank you for purchasing the Brandstand CubieFlip™. This product allows the hotel to offer more outlets and USB charging to their guests at the desk level. Please be sure to read this User Manual carefully to ensure proper installation.

The information in this document is subject to change and does not represent a commitment on the part of Brandstand Products. No part of this document may be reproduced, transmitted in any form or by any means, electronic or mechanical, including photocopying, recording, or information storage and retrieval systems, or translated into any language for any purpose other than the purchaser's personal use, without the written permission of Brandstand Products.

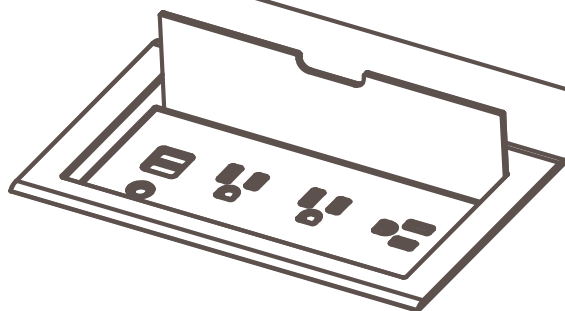
Product Features

- Convenient connections for AC and USB-powered devices
- Efficient and stylish design with multiple mounting options
- Complete surge protection through all AC outlets and/or USB Ports

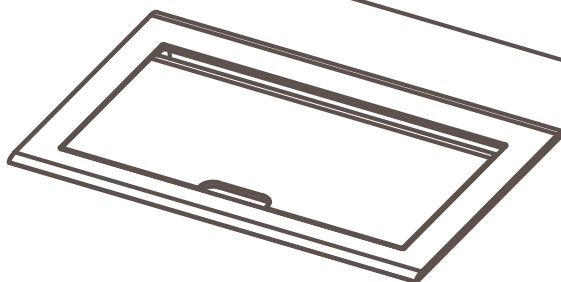
Product Description

- 3 AC outlets
- 2USB Charging Ports
- Surge Protection
- Over-current Protection (Circuit Breaker)
- 6ft 14AWG Power Cord
- 2 Faceplate Color Options: Silver or Black
- All Mounting Hardware Included

CubieFlip™ – Open

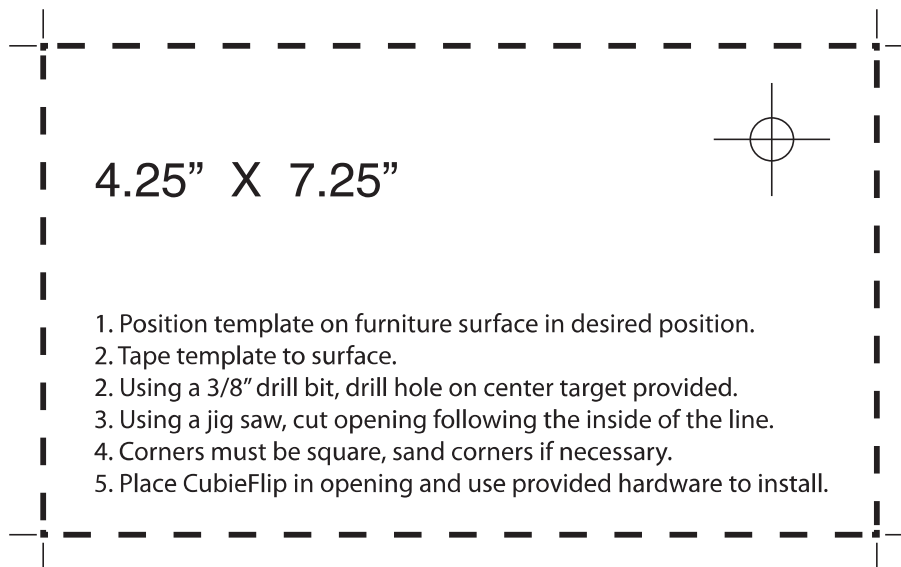


CubieFlip™ – Closed

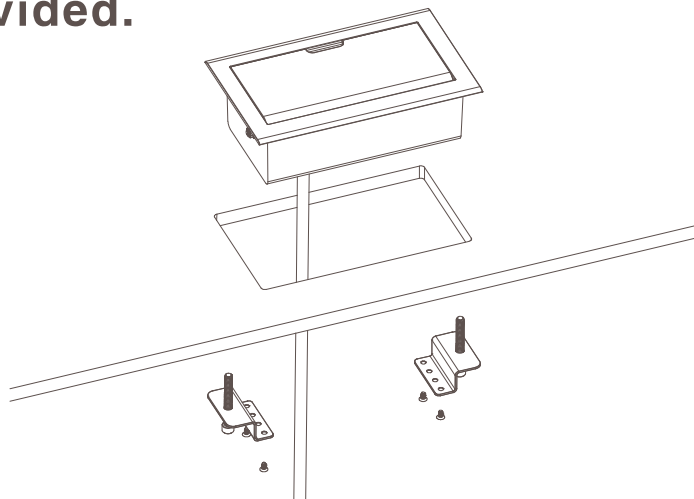


Quick Installation Guide

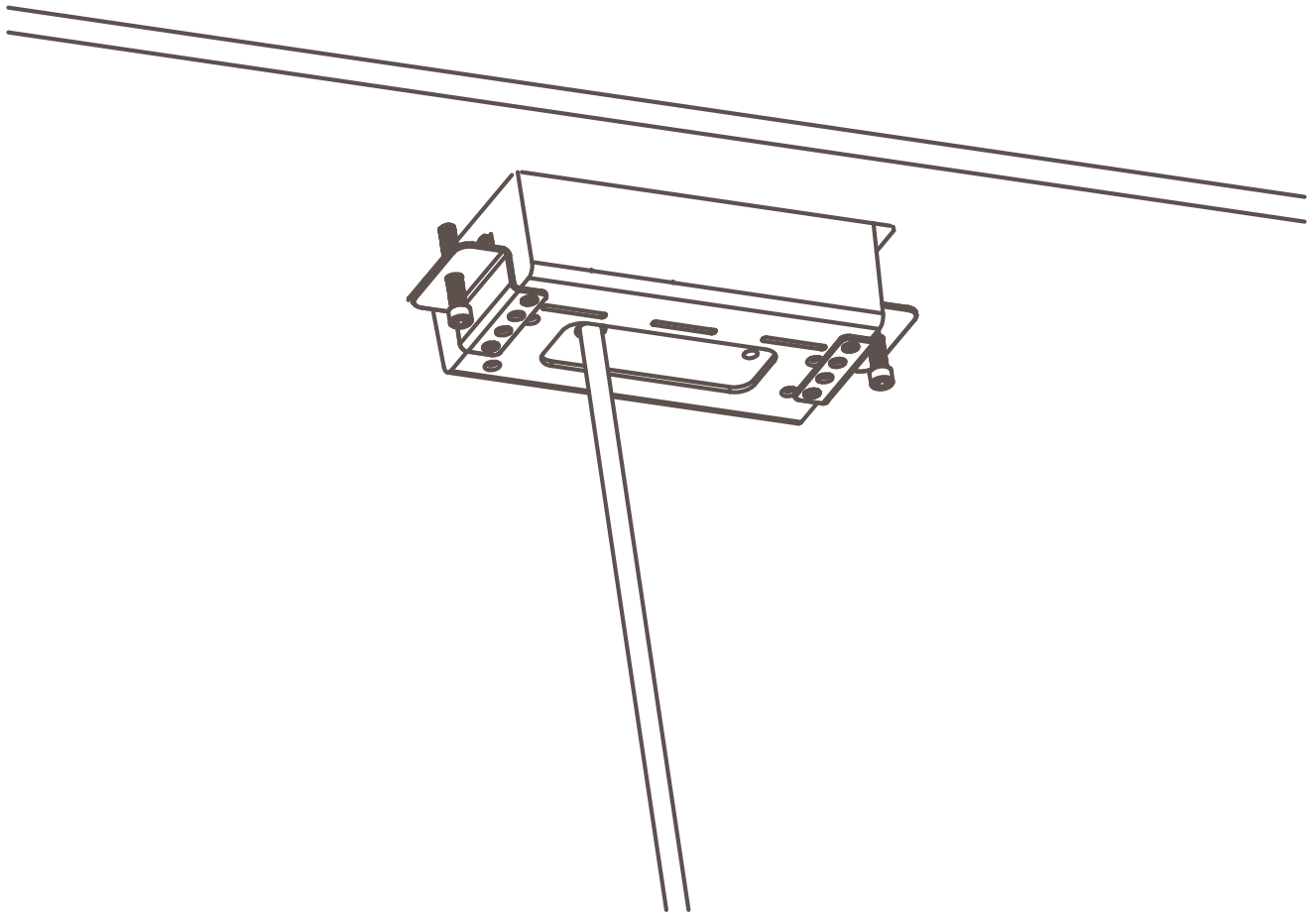
1. Attach Cut Template (included) to desk surface with tape.
2. Follow Instructions on Cut Template.



3. Position CubieFlip™ in cutout.
4. Fasten 2 brackets to bottom of unit with 4 machines screws provided.



5. Secure CubieFlip™ to the desk by tightening the 2 allen bolts.



6. Plug directly into wall AC outlet. Do not plug into another surge protector or extension cord.

Technical Specifications

Continuous Duty Electrical Rating

125VAC 12A 60Hz 1500W

Maximum Energy Dissipation

615J L-N 205J L-G 205J N-G 205J

Maximum Spike Current

24000A L-N 8000A
L-G 8000A N-G 8000A

UL Clamping Voltage (3-line)

UL1449
VPR: L-N 1200V, L-G 1200V, N-G 1500V

AC Outlets Output

125V 12A

Powered USB Output

5V = 2.4A shared

EMI/RFI Filtration

150kHz-1000MHz up to 40db

Surge Response Time (ns)

<20 ns

Working Temperature

0°C~35°C

Power Cord

6ft 14AWG 3-line

Housing Material

UL94 V-0

Working Surroundings

Indoor Fixed Mount

Important Safeguards

- CAUTION – Do not install this device if there is not at least 10 meters (30 feet) or more of wire between the electrical outlet and the electrical service panel.
- Ensure that the unit is plugged into an AC120V~60Hz outlet. The use of incorrect outlets could cause the unit to malfunction or catch fire.
- To reduce the risk of fire or electrical shock, do not use this device with a receptacle in which the slot openings do not align with the blades.
- Do not allow children to operate the unit without adult supervision.
- Always ensure the product is unplugged from the electrical outlet before relocating or cleaning it.
- Keep the power cord and product away from heated surfaces.
- The unit should not be exposed to dripping or splashing and no objects filled with liquids, such as vases, should be placed on or around the product.
- Do not place or drop product into water or other liquids. If product falls into water, immediately unplug it from the electrical outlet; do not pull on power cord.
- Do not put any stress on the power cord where it connects to the product as the power cord could fray and break.
- Do not plug/unplug the product into/from the electrical outlet with a wet hand.

- Do not operate the product if it has a damaged or cut power cord or adapter, if wires are exposed, if it malfunctions, if it is dropped or damaged, or if it is dropped in or exposed to water.
- Place the unit where there is good air circulation.
- This product has no user-serviceable parts. Do not attempt to examine or repair this product yourself. Only qualified service personnel should perform the servicing; take the product to an electrical repair shop of your choice for inspection and repair.
- No open flame sources, such as candles, should be placed on the product.
- Product should only be used indoors and in dry locations. It should not be used with aquariums or other water-related products.

The Brandstand Difference

Surge Protection

All Brandstand Cubie products pass:

- UL1449 Surge Protection Devices Standard
- UL 962A for Furniture Power Distribution Units

Liquid Spill Testing

For enhanced safety, the Cubie Product Line was designed for and successfully passed a UL spill test conducted by our ETL testing lab.

Pass-Through Power

The pass-through power plug allows another device (i.e. lamp or alarm clock) to be plugged into the same wall outlet used by the Cubie Product.

Brandstand Products

801 E. Campbell Rd. Suite 620

Richardson, TX 75081, USA

877-843-3681

www.brandstand.com

© 2016 TXS Industrial Design Inc. d.b.a. Brandstand Products

Brandstand is a registered trademark of TXS Industrial Design, Inc. in the United States